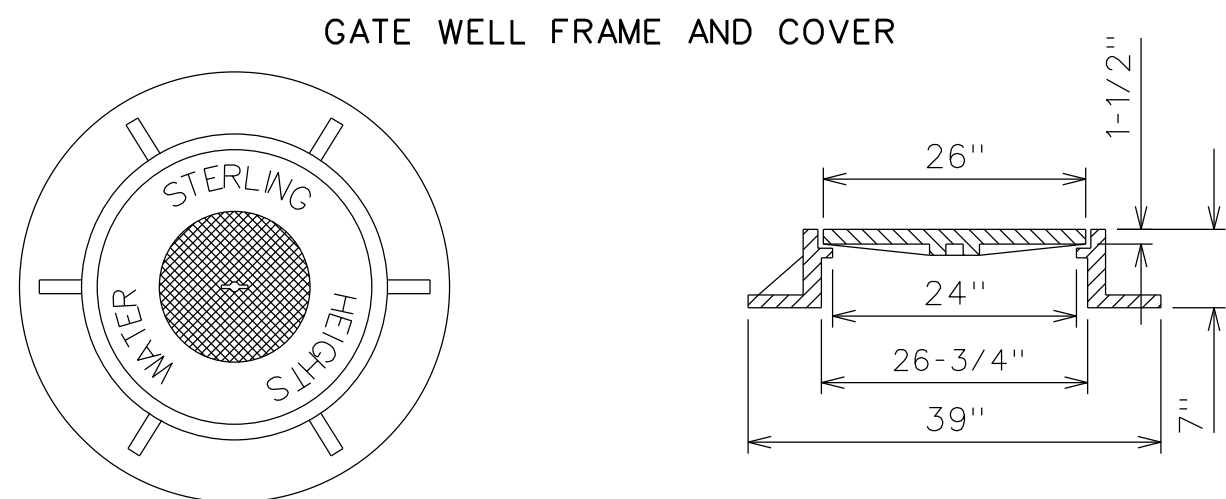
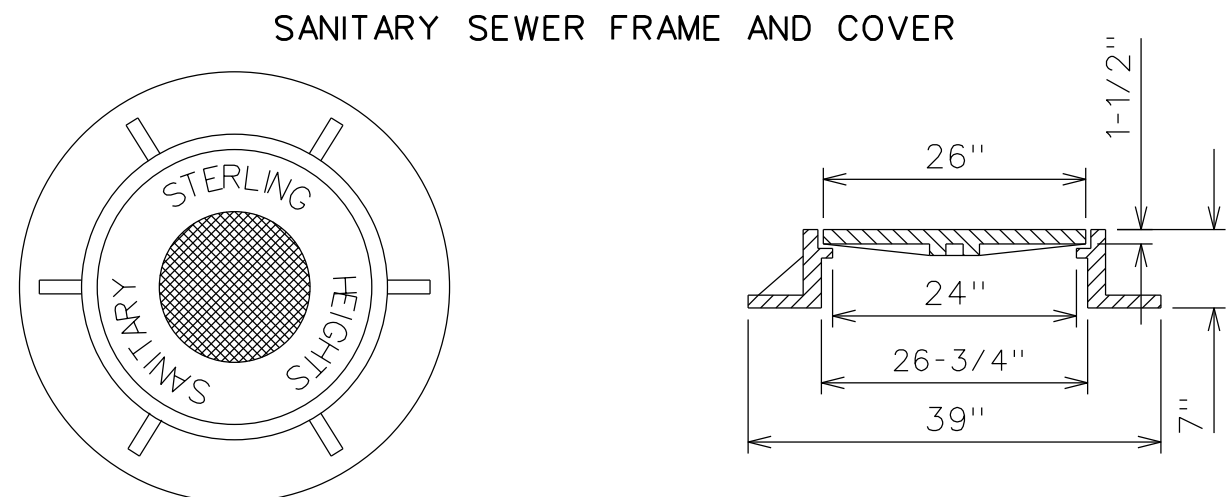


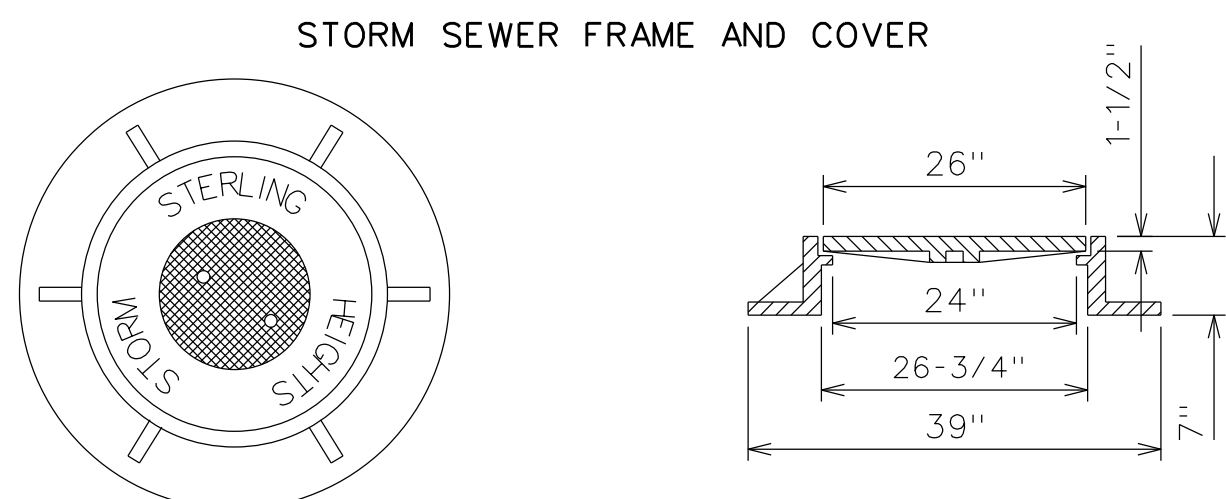
SDSTM001



E.J.I.W. #1040 TYPE "A" COVER WITH KEY SLOT



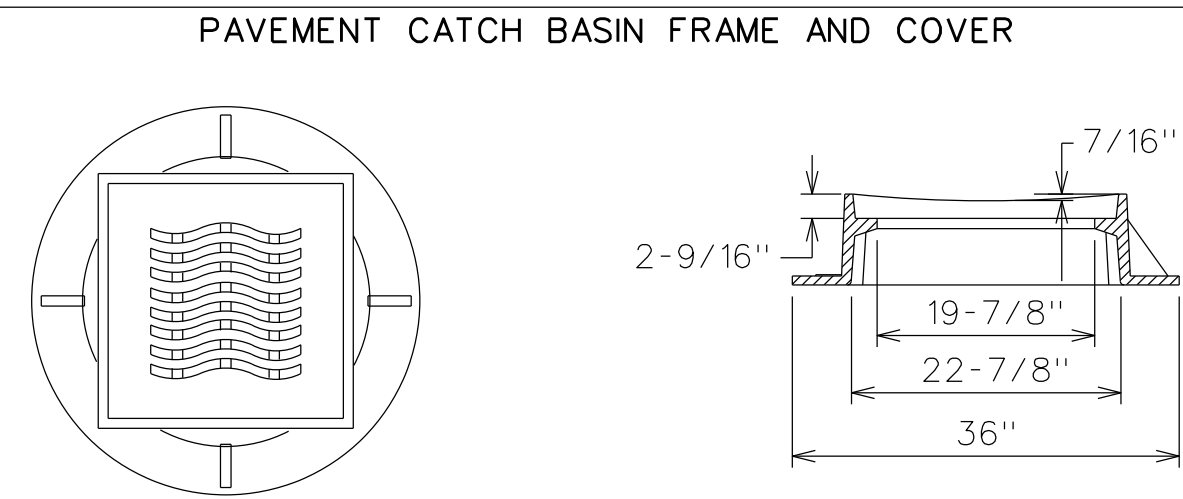
E.J.I.W. #1040 TYPE A COVER



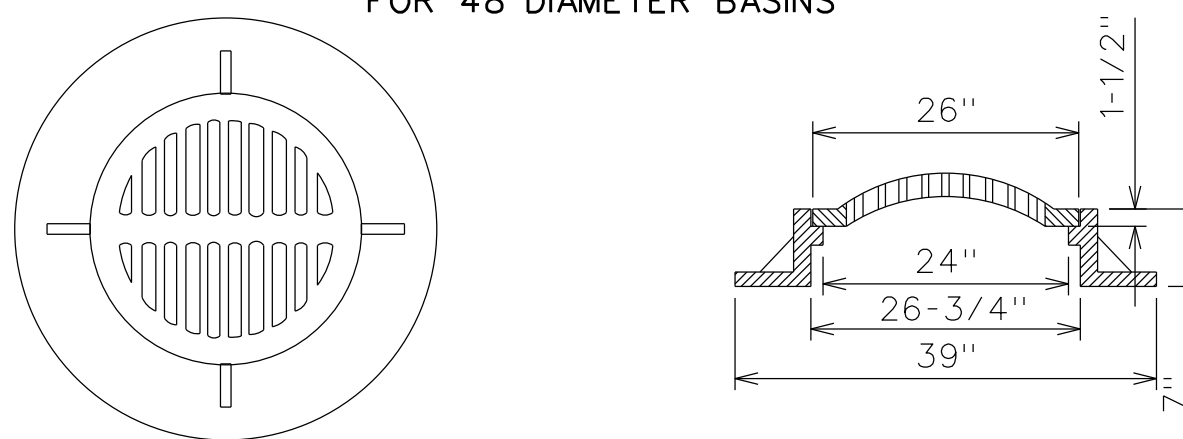
E.J.I.W. #1040 TYPE "C" COVER

CITY OF STERLING HEIGHTS STANDARD DETAILS	MANHOLE FRAMES & COVERS NON-PAVED AREAS	DATE: 07/17/70 REVISED: 03/21/88	GLB
---	---	-------------------------------------	-----

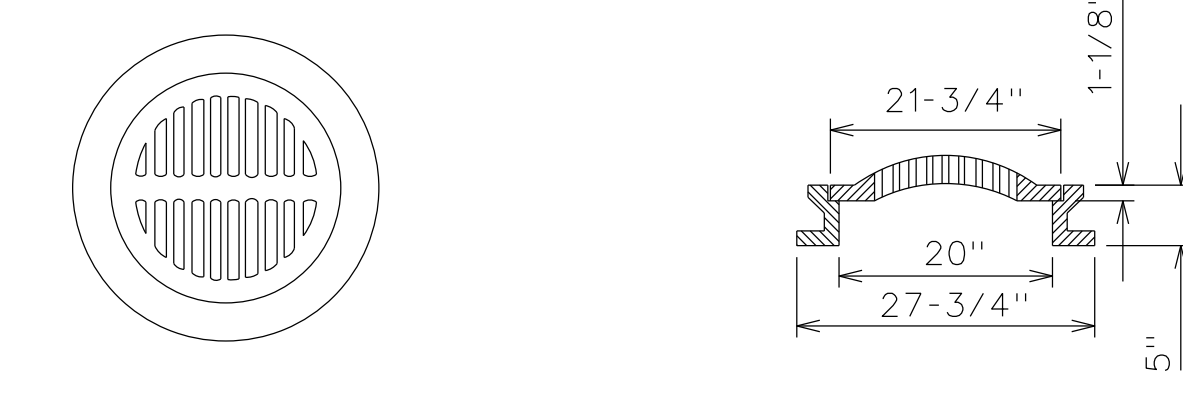
SDSAN005



E.J.I.W. #5105 COVER E.J.I.W. #5100 ONE PIECE FRAME REAR YARD CATCH BASIN FRAME AND COVER FOR 48" DIAMETER BASINS



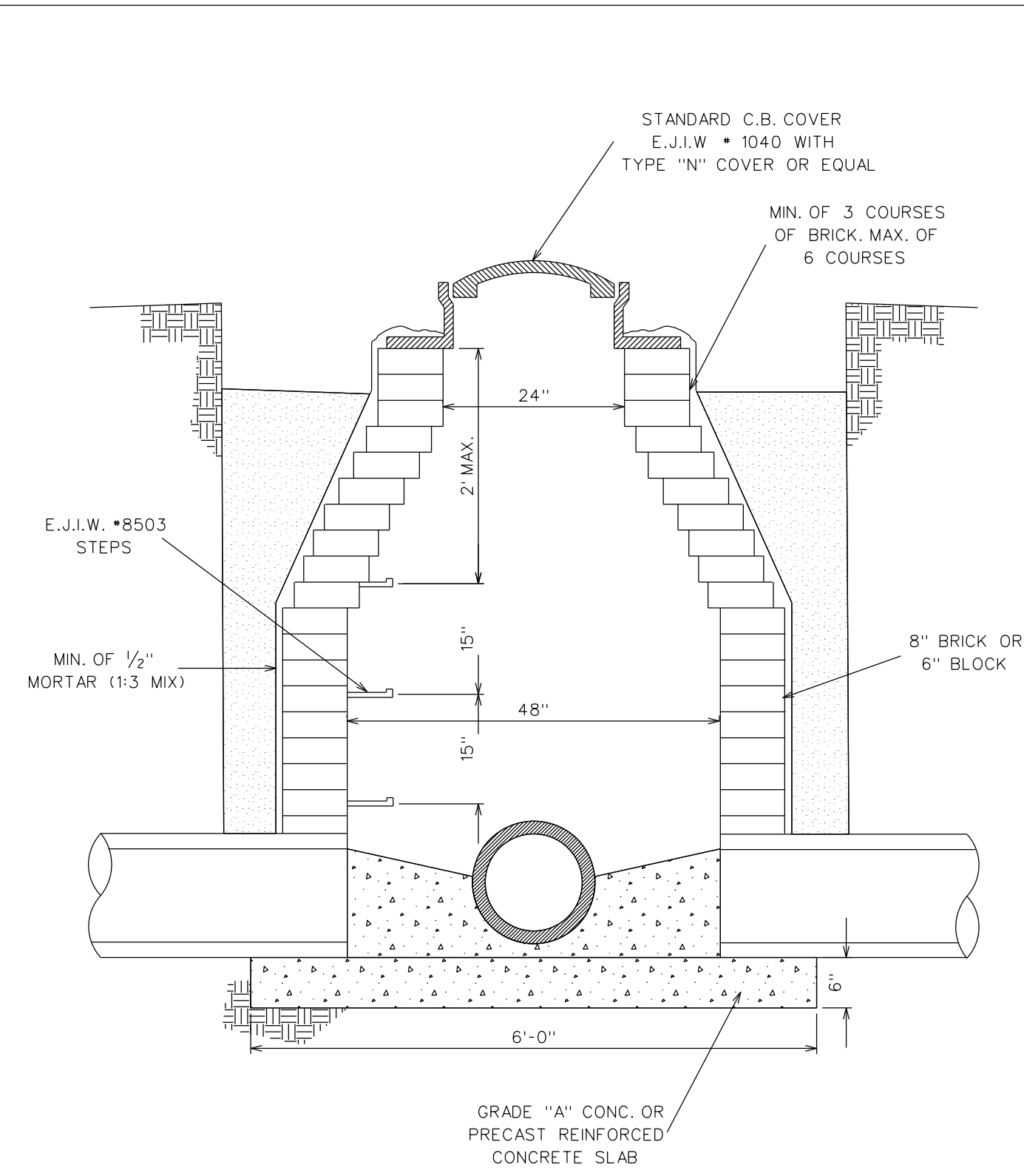
E.J.I.W. #1040 WITH TYPE "N" COVER REAR YARD CATCH BASIN FRAME AND COVER FOR 24" AND 36" DIAMETER REAR YARD INLETS



E.J.I.W. #1170 WITH TYPE "N" COVER

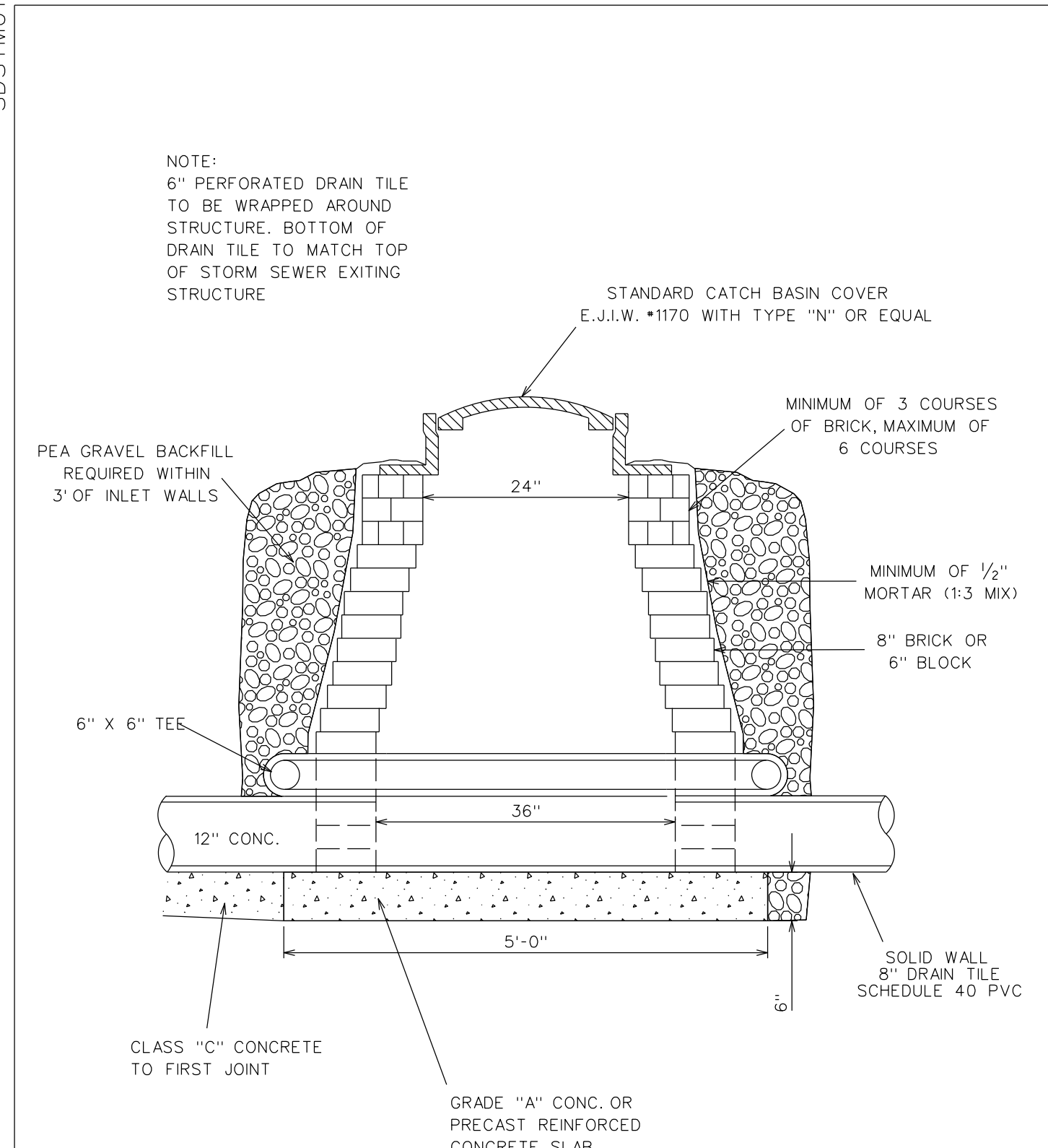
CITY OF STERLING HEIGHTS STANDARD DETAILS	CATCH BASIN FRAMES & COVERS	DATE: 02/13/70 REVISED: 77,80,81,88,22	GLB
---	-----------------------------	---	-----

SDSTM006



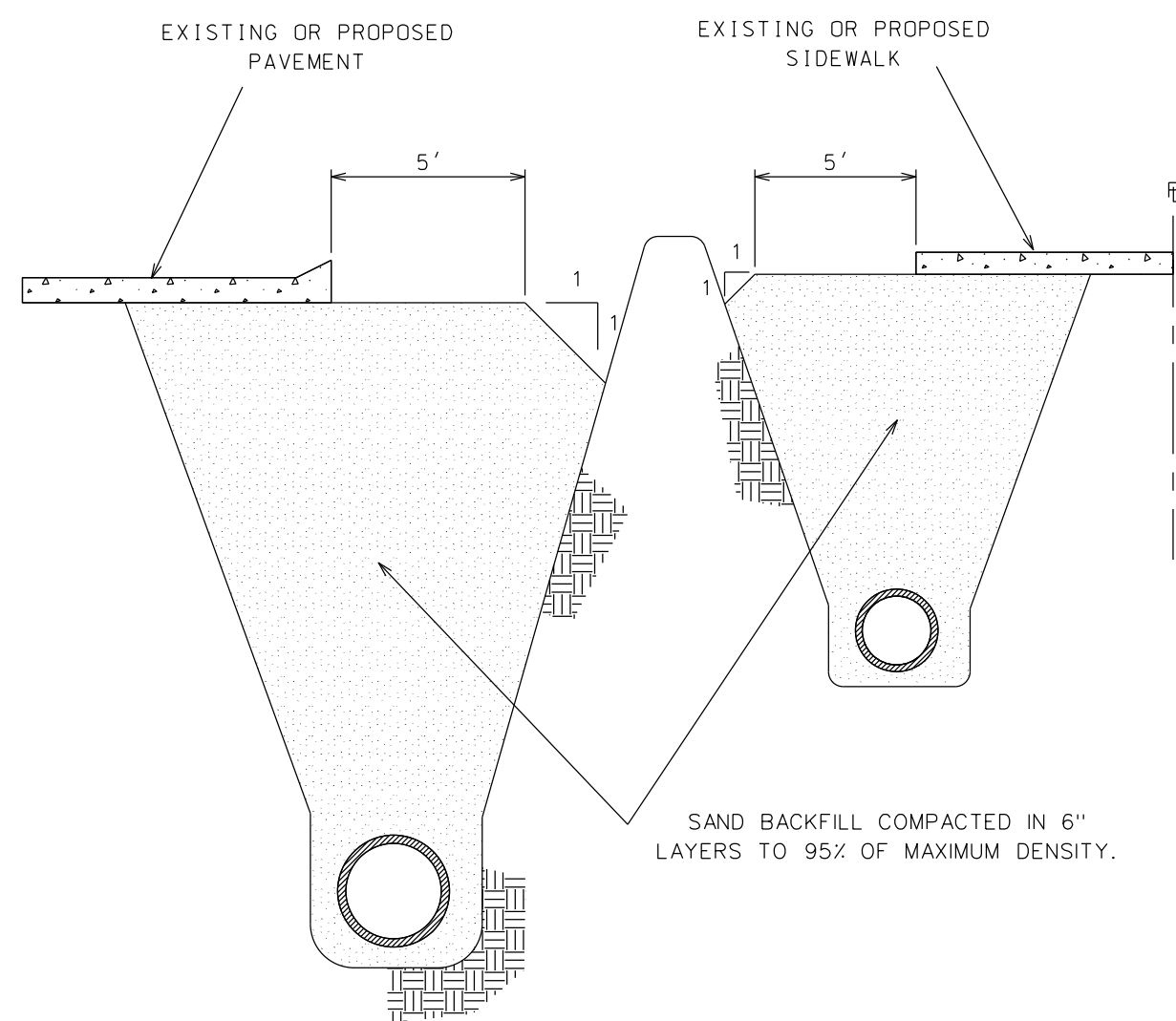
CITY OF STERLING HEIGHTS STANDARD DETAILS	48" REAR YARD CATCH BASIN	DATE: 04/07/72 REVISED: 01/09/81	LV
---	---------------------------	-------------------------------------	----

SDSTM011



CITY OF STERLING HEIGHTS STANDARD DETAILS	36" REAR YARD INLET	DATE: 12/22/76 REVISED: 1981,88	DRJ
---	---------------------	------------------------------------	-----

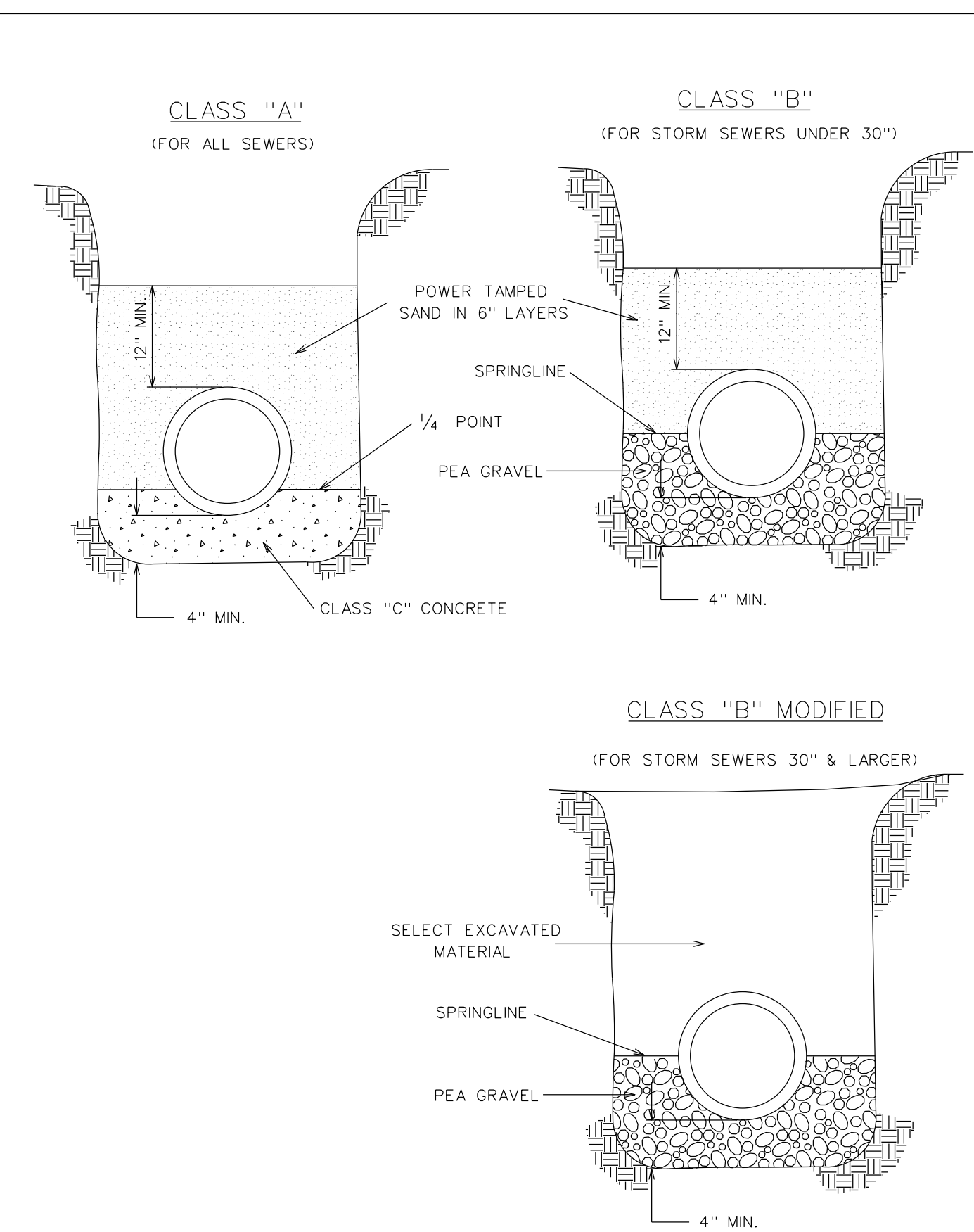
SDSAN300



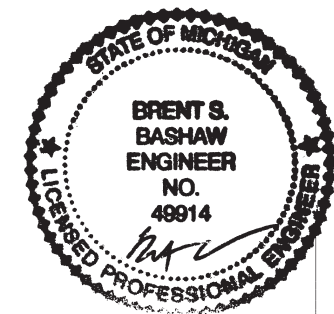
SAND BACKFILL REQUIRED UNDER ALL EXISTING OR PROPOSED PAVED AREAS AND EXTENDING 5' BEYOND THE EDGE OF THE SLAB, THEN TAPERING AT A 1 ON 1 SLOPE TO ORIGINAL GROUND.

CITY OF STERLING HEIGHTS STANDARD DETAILS	BACKFILL UNDER PAVED AREAS	DATE: 02/19/70 REVISED:	GLB
---	----------------------------	----------------------------	-----

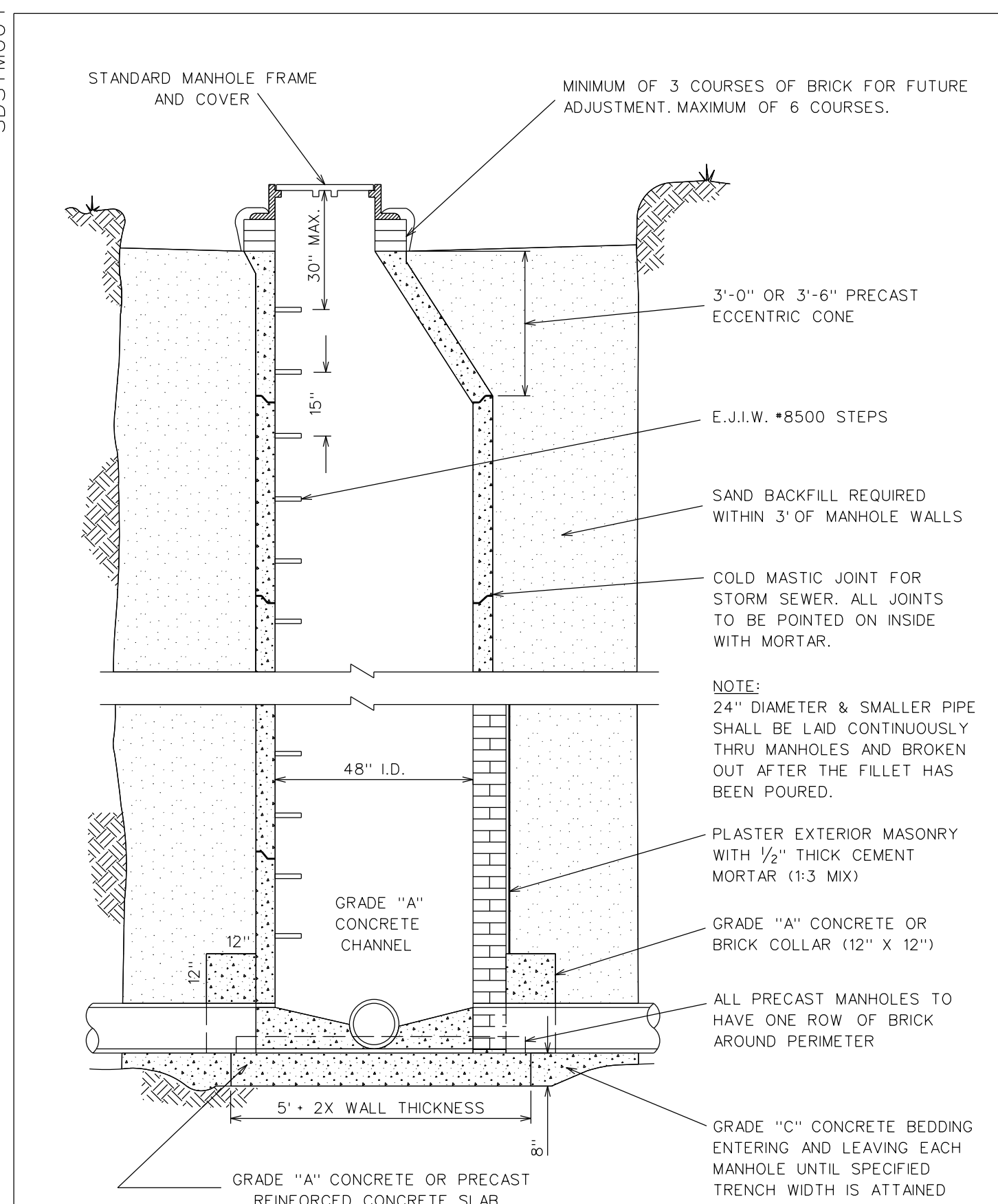
SDSTM002



CITY OF STERLING HEIGHTS STANDARD DETAILS	STORM SEWER BEDDING	DATE: 02/27/70 REVISED: 1974,78,79	GLB
---	---------------------	---------------------------------------	-----



SDSTM004



CITY OF STERLING HEIGHTS STANDARD DETAILS	STORM M.H. FOR SEWERS LESS THAN 48" DIAMETER	DATE: 02/16/70 REVISED: 06/23/76	GLB
---	--	-------------------------------------	-----

REVISIONS		SCALE: 1" = 50'	DATE: NOTED	FIELD BOOK:	PAGE:
DESCRIPTION	DATE	DRAWN: DMW	CHECKED: GLB	APPROVED: TRD	CITY ENGINEER
PROJECT INFORMATION		CITY OF STERLING HEIGHTS			
LOCATION: CITY OF STERLING HEIGHTS		40555 UTICA ROAD			
STATION:		P.O. BOX 8009			
C.P. NO.:		STERLING HEIGHTS, MI 48311-8009			
SECTION:		(586) 446-2489			
FILENAME: F:\DRAW\DETAILS\USHT04.DGN		STANDARD DETAILS			
STORM 1 OF 2		SHEET 4 OF 2			